

aquatica®

Function, Form & Fashion



Dynamo SL-340
Shower Head

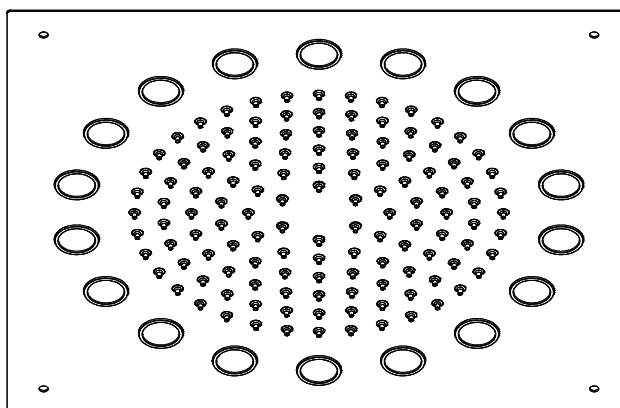
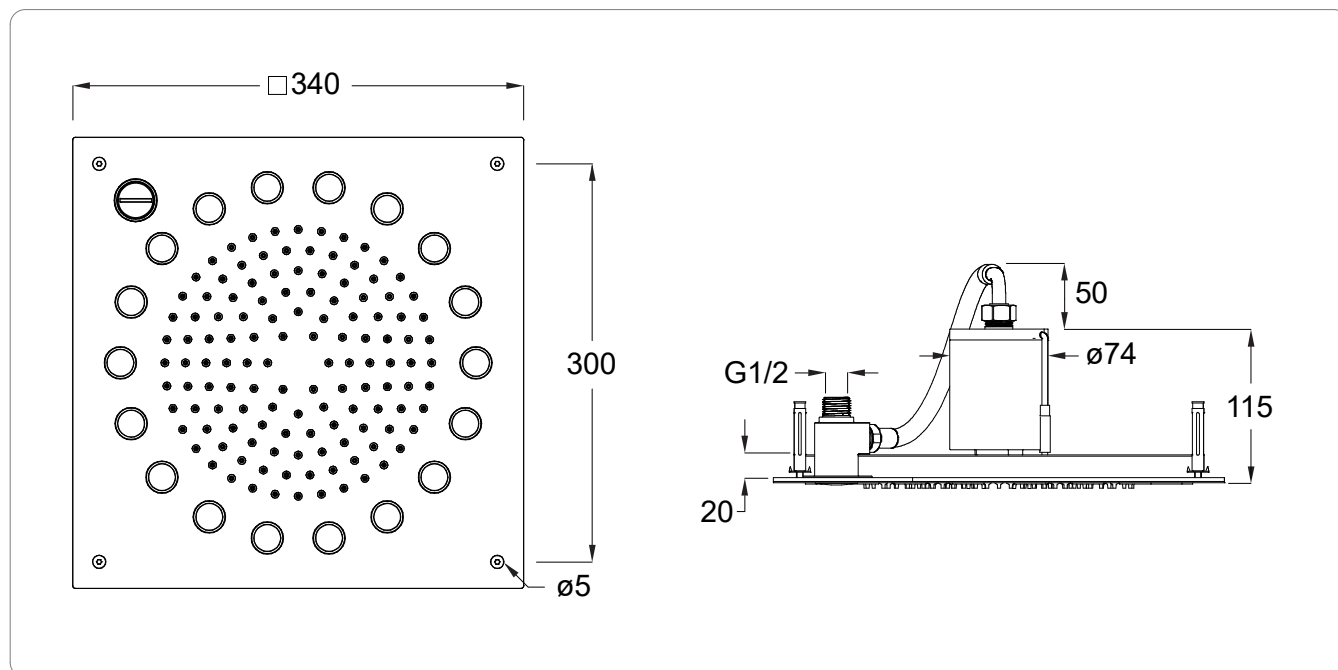
Installation & Care Manual
Europe / International

Dynamo S2-340

Shower Heads

PARTS LIST

 MEASUREMENTS: mm



SPECIFICATIONS

Recommended operational pressure	1-5 bar
Maximum test pressure	16 bar
Maximum hot water temperature	70 °C
Recommended temperature	50-60 °C
Pressure difference between hot and cold water	max. 1,5 bar

IMPORTANT NOTE

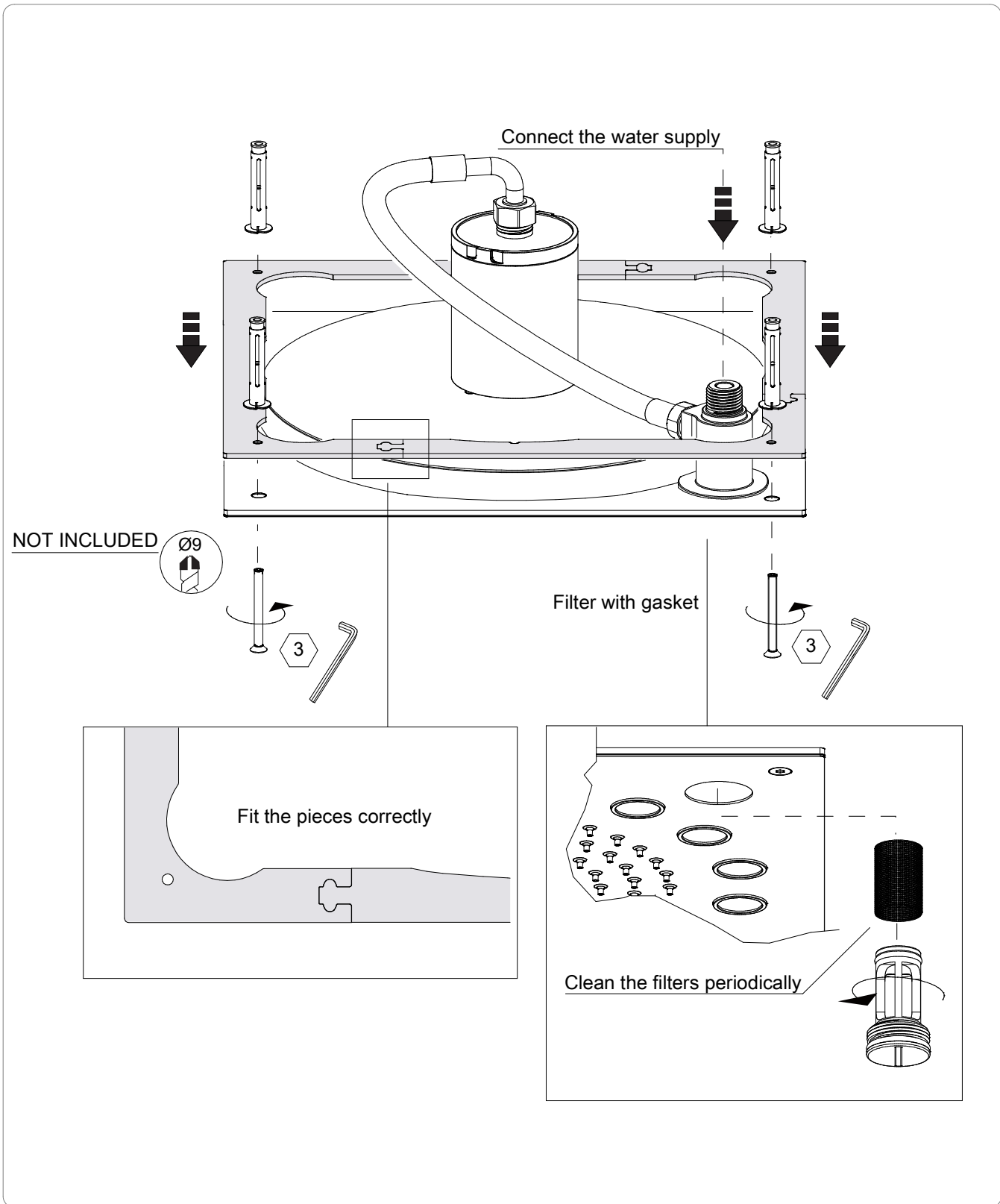
- Installation to be performed by qualified personnel
- Before connecting to mains, bleed the pipes to avoid damage.



Dynamo SL-340

Shower Heads

aquatica®
Function, Form & Fashion



aquatica®
Function, Form & Fashion

aquatica®

Function, Form & Fashion

